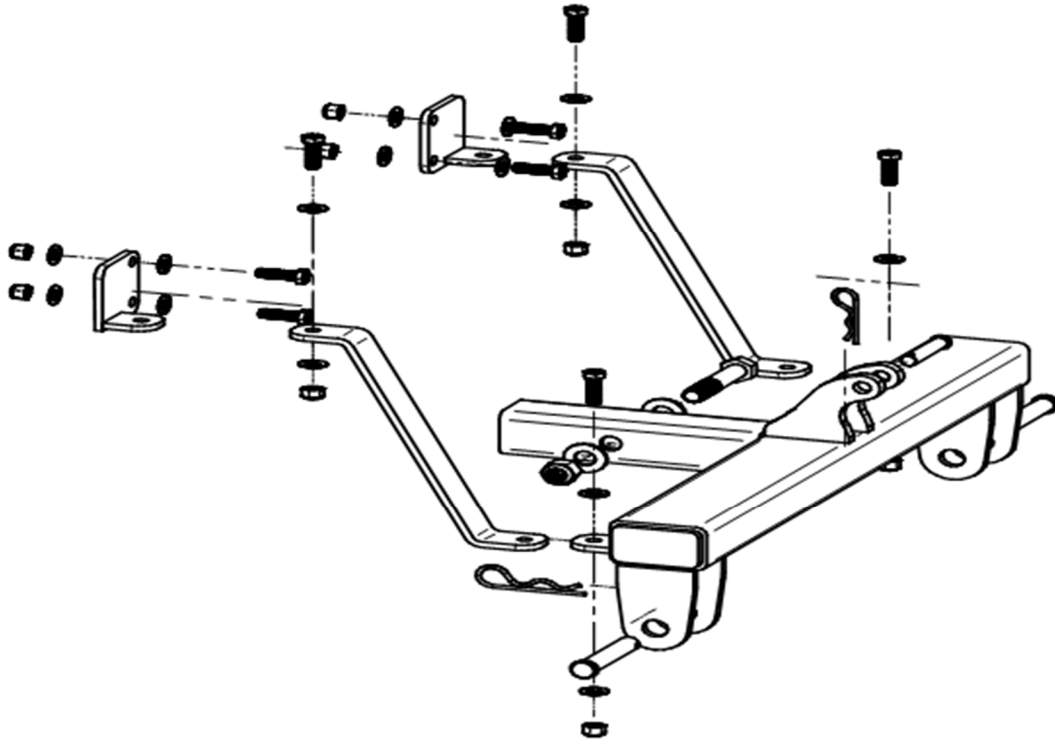




# Model GL 650

## Infield Groomer

“Working Together to Level the Playing Field”



### Kubota X Series

KEY	PART NUMBER	DESCRIPTION
1	KAGL6501120-1	Hitch
2	HP8-30	3/8" x 1 1/4" HHCS (Included in Item 15)
3	HP8-32	3/8" SAE Washer (Included in Item 15)
4	HP8-31	3/8" Nylock (Included in Item 15)
5	HP8-35	5/8" SAE Washer (Included in Item 15)
6	HP8-33	5/8" x 3 1/2" HHCS (Included in Item 15)
7	HP8-34	5/8" Nylock (Included in Item 15)
8	HP8-25	1/2" x 2 1/2" Pin
9	HP8-11	Hitch Pin Clip
10	HP8-01	3/4" x 3 1/2" Pin (Set of 2)
11	HP8-10	Hitch Pin Clip
12	KAGL6501120-2-S	Strap
13	KAGL6501120-1-LT	Bracket, LH
14	KAGL6501120-1-RT	Bracket, RH
15	KAGL6501120-3	Hardware Kit, Includes items 2 thru 7

#### JR Services

31515 State Highway 13  
New Prague, MN 56071

**1-800-298-1707**

www.RahnGroomer.com