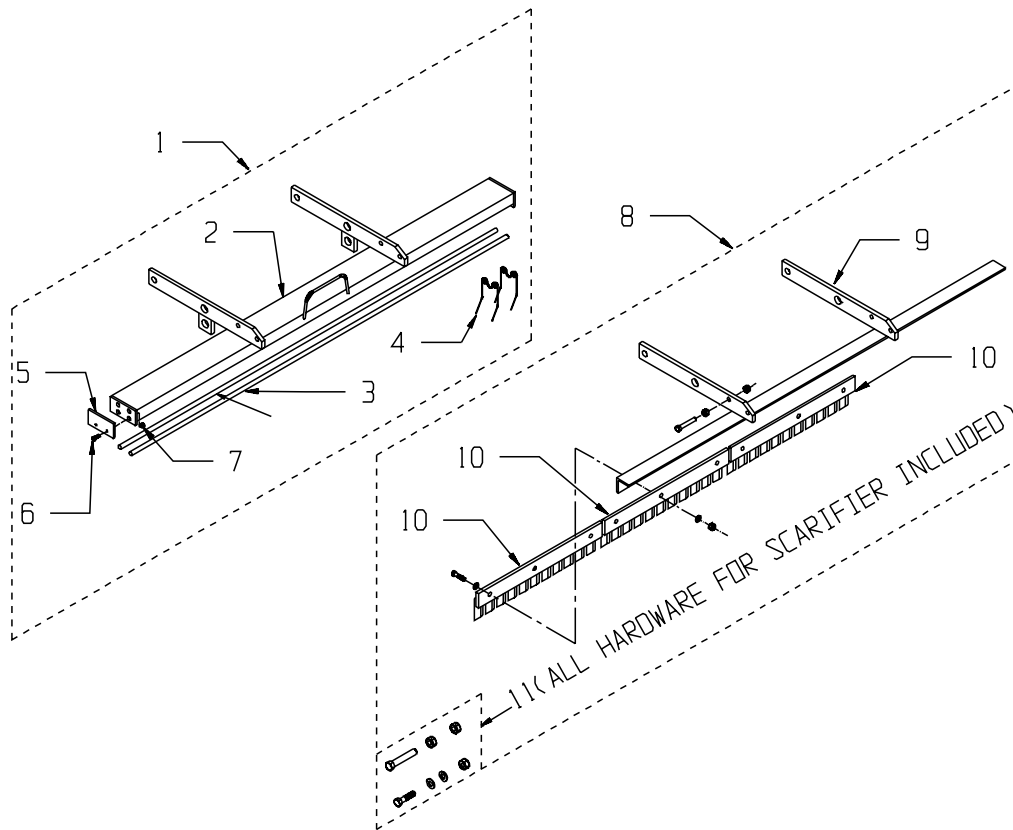


# RAHN INDUSTRIES

## Infield Groomer Model GL650



### Scarifier Options

KEY	PART NUMBER	DESCRIPTION	QTY
1	GL650-4-10	Spring Tine Assembly, Complete	1
2	GL650-4-10-1	Spring Tine Channel With Arms	1
3	GL650-4-10-2	Rods, 1/2" x 60"	2
4	GL650-4-15	Spring Tine Replacement, Set (Includes 38 Pcs)	1
5	GL650-4-10-3	2" x 4" x 1/4", End Cap	1
6		HHCS, 1/4" x 3/4"	2
7		Lock Nut, 1/4"	2
8	GL650-4	Scarifier Assembly, Complete	1
9	GL650-4-1-1	5 Foot Scarifier Angle	1
10	GL650-4-5-3	Scarifier Replacement, Set (Includes 3 Pcs)	1
11	GL650-4-9	Hardware Package For Scarifier (includes items listed below)	Ref
		7/16"-14 x 2 1/2" Carriage Bolts W/ Nuts	2
		Bolt, 3/8"-16 x 1 1/2"	9
		Flat Washer, 3/8 "	18
		Lock Nut, 3/8 "	9