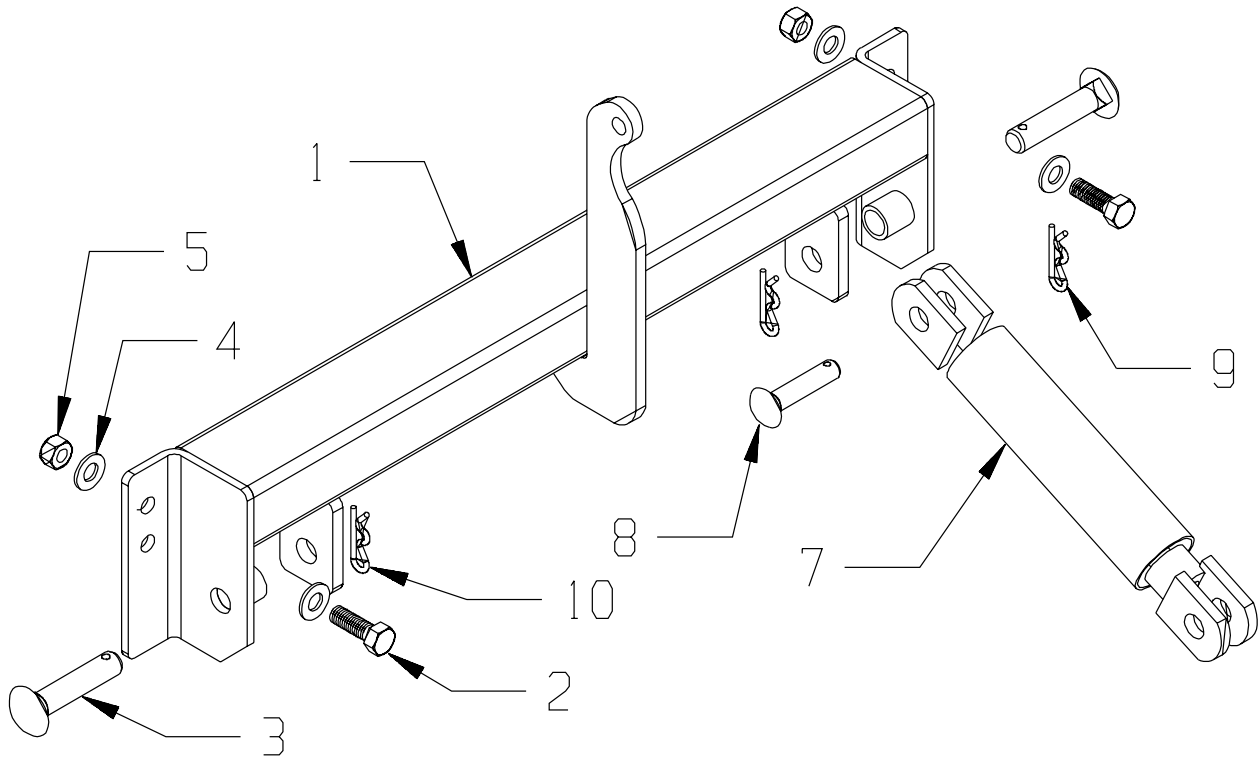


RAHN INDUSTRIES

Infield Groomer Model GL650



Groom Master

KEY	PART NUMBER	DESCRIPTION	QTY
1	CGM-650-1	Hitch Frame, GM	1
2		Bolt, 1/2-13 x 1 1/2 Hex	4
3	HP-8-01	Mounting Pin, 3/4 x 4 1/2	2
4		Washer, 1/2 Flat	4
5		Nut, 1/2-13 Top Lock	4
7	HP-7-001	Cylinder, Lift	1
8	HP-8-04	Mounting Pin, 1/2 x 1 1/2	1
9	HP-8-11	Hair Pin	1
10	HP-8-10	Hair Pin	4