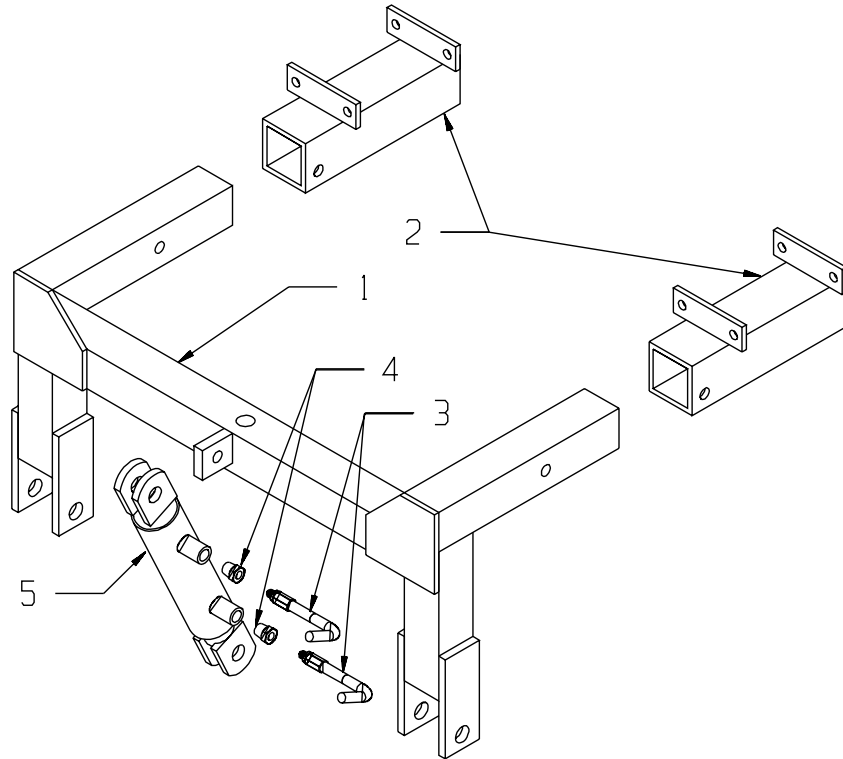


RAHN INDUSTRIES

Infield Groomer Model GL650



Cushman Hitch

KEY	PART NUMBER	DESCRIPTION	QTY
1	CGL 650-2-1	Hitch, Cushman	1
2	CGL 650-2-2	Hitch Sleeves, Cushman	2
3	HP 7-021	Hose-With Quick Disconnect Ends	2
4	4MJ-6MB	Adapter (Hydraulic Fitting)	2
5	HP 7-001	Cylinder, Lift	1