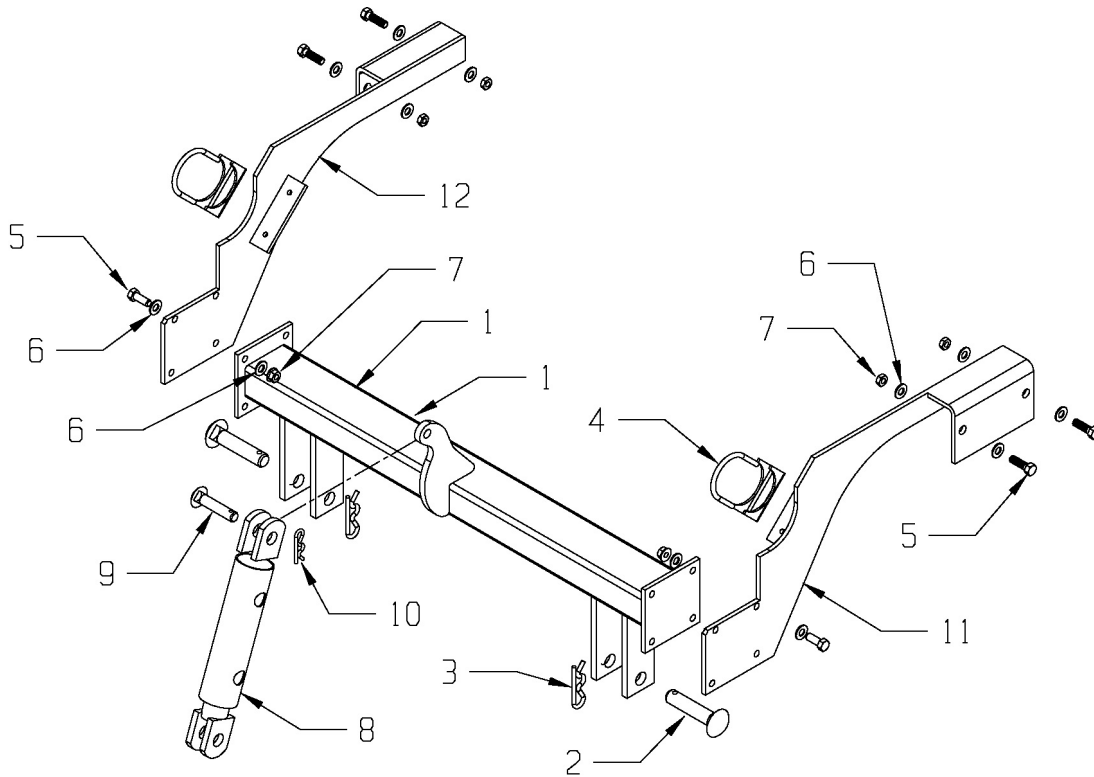


RAHN INDUSTRIES

Infield Groomer Model GL650



Toro Workman Hitch

KEY	PART NUMBER	DESCRIPTION	QTY
1	TC GL650-2-1-1	Hitch, Secondary, Toro WM	1
2	HP-8-01	Mounting Pin, 3/4 x 3 1/2	4
3	HP-8-10	Hair Pin	4
4	HP-8-11-2	Clamp, Muffler w/Nuts	2
5		Bolt, 3/8-16 x 1 1/4 Hex	12
6		Washer, 3/8 Flat	24
7		Nut, 3/8-16 Nylon Lock	12
8	HP-7-001	Cylinder, Lift	1
9	HP-8-04	Mounting Pin, 1/2 x 1 1/2	1
10	HP-8-10	Hair Pin	1
11	TC GL650-2-3-1	Bracket Arm, RH	1
12	TC GL650-2-2-1	Bracket Arm, LH	1