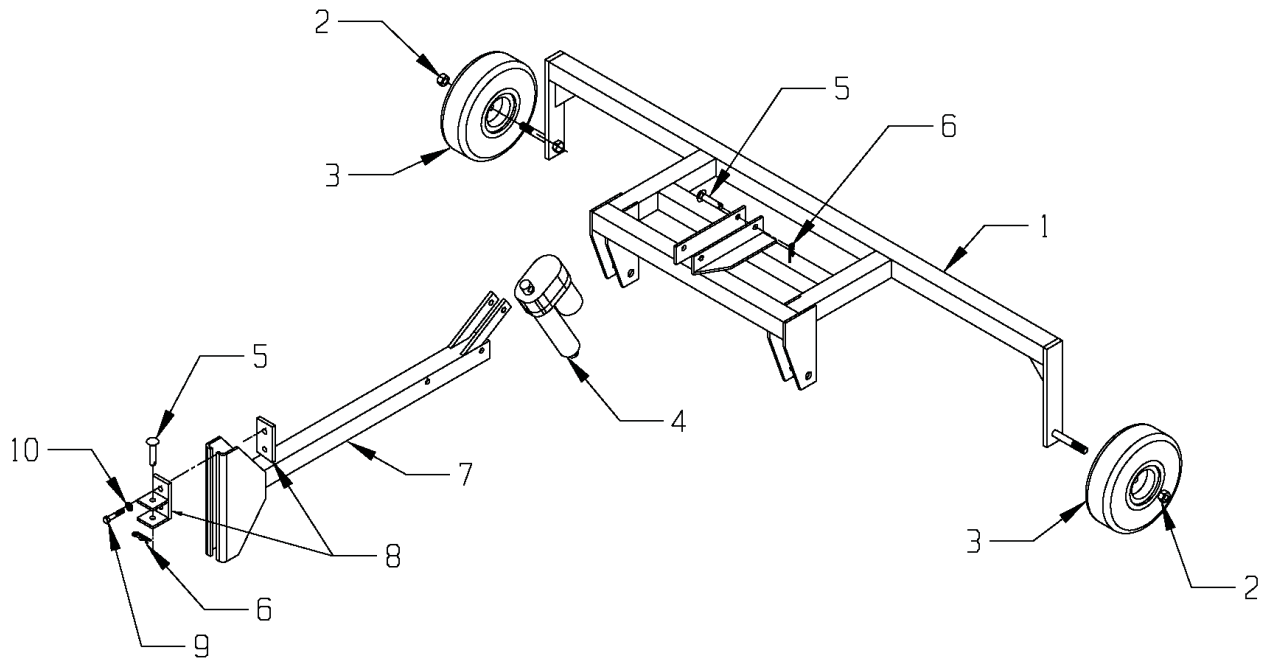


# RAHN INDUSTRIES

## Infield Groomer Model GL650



### Electric Lift Pull Type

KEY	PART NUMBER	DESCRIPTION	QTY
1	PT-650-1	Pull Type Frame	1
2		Nut 5/8-11 Top Lock	2
3	PT-650-2-70-1	Wheel & Tire Assembly	2
4	D12-20A5-06	Electric Lift	1
5	HP-8-03	Mounting Pin, 1/2 x 3	3
6	HP-8-10	Hair Pin	3
7	PT GL650-2E	Electric Hitch Tongue	1
8	PT-650-9	Hitch Weldment & Nut Plate	1
9		Bolt	2
10		Washer, Flat	2