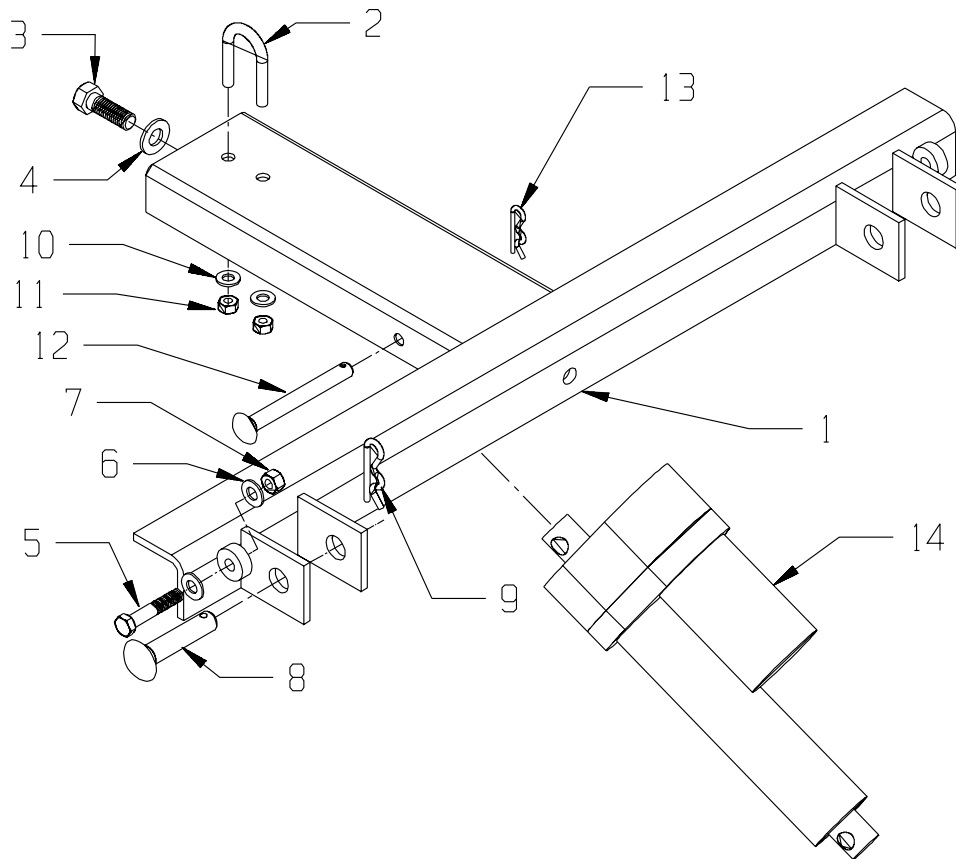


# RAHN INDUSTRIES

## Infield Groomer Model GL650



### John Deere # JD GL650 1200

| KEY | PART NUMBER | DESCRIPTION               | QTY |
|-----|-------------|---------------------------|-----|
| 1   | JD-650-12   | Hitch Frame, JD 1200      | 1   |
| 2   |             | U-Bolt, 5/16-18 x 1 1/8   | 1   |
| 3   |             | Bolt, 1/2-13 x 1 1/2 Hex  | 1   |
| 4   |             | Washer, 1/2 Flat          | 1   |
| 5   |             | Bolt, 3/8-16 x 2 Hex      | 2   |
| 6   |             | Washer, 3/8 Flat          | 4   |
| 7   |             | Nut, 3/8-16 Top Lock      | 3   |
| 8   | HP-8-01     | Mounting Pin, 3/4 x 3 1/2 | 2   |
| 9   | HP-8-10     | Hair Pin                  | 2   |
| 10  |             | Washer, 5/16 Flat         | 2   |
| 11  |             | Nut, 5/16-18              | 2   |
| 12  | HP-385      | Mounting Pin, 3/8 x 5     | 1   |
| 13  | HP-8-11     | Hair Pin                  | 1   |
| 14  | D12-20A5-06 | Electric Lift             | 1   |